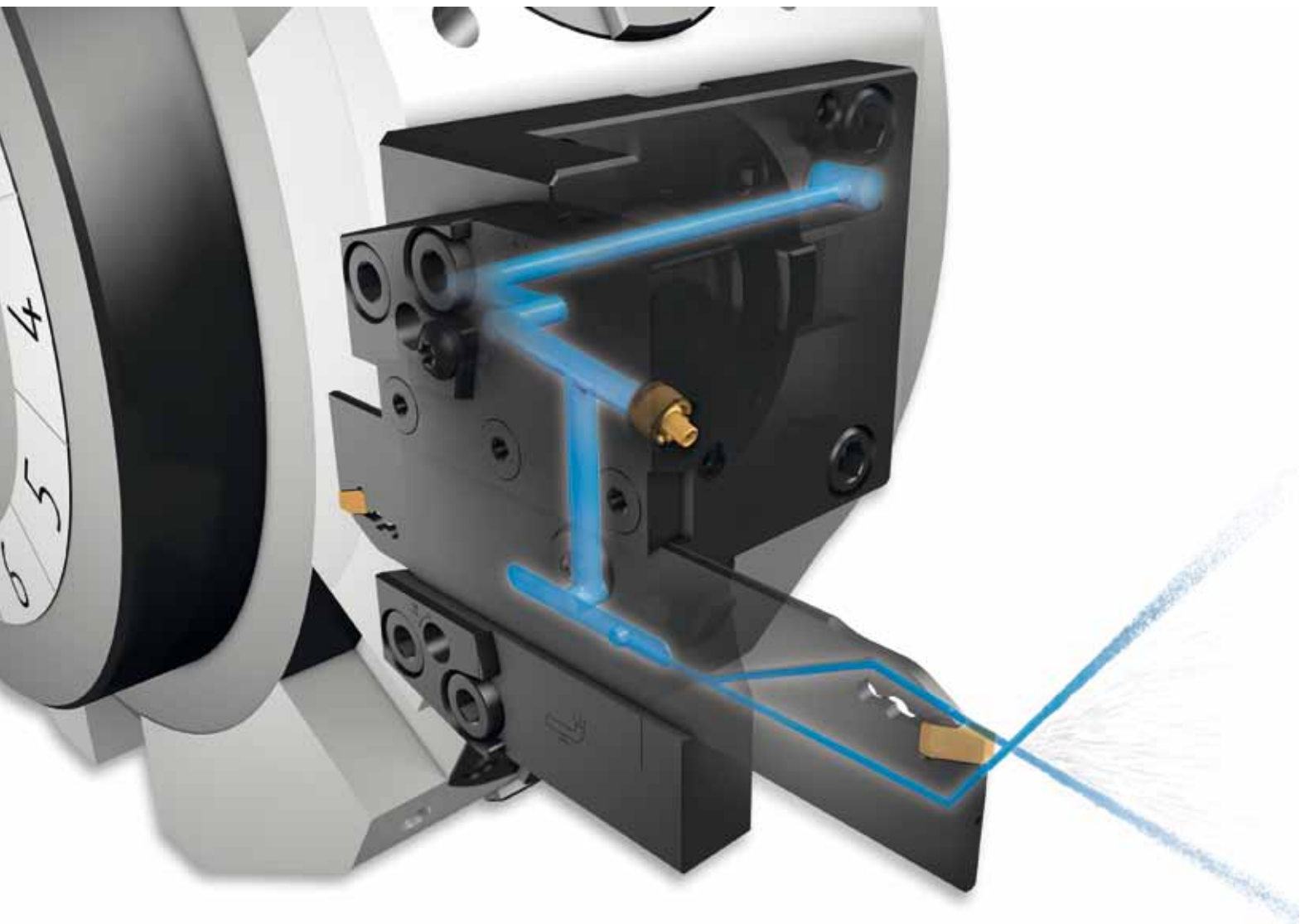


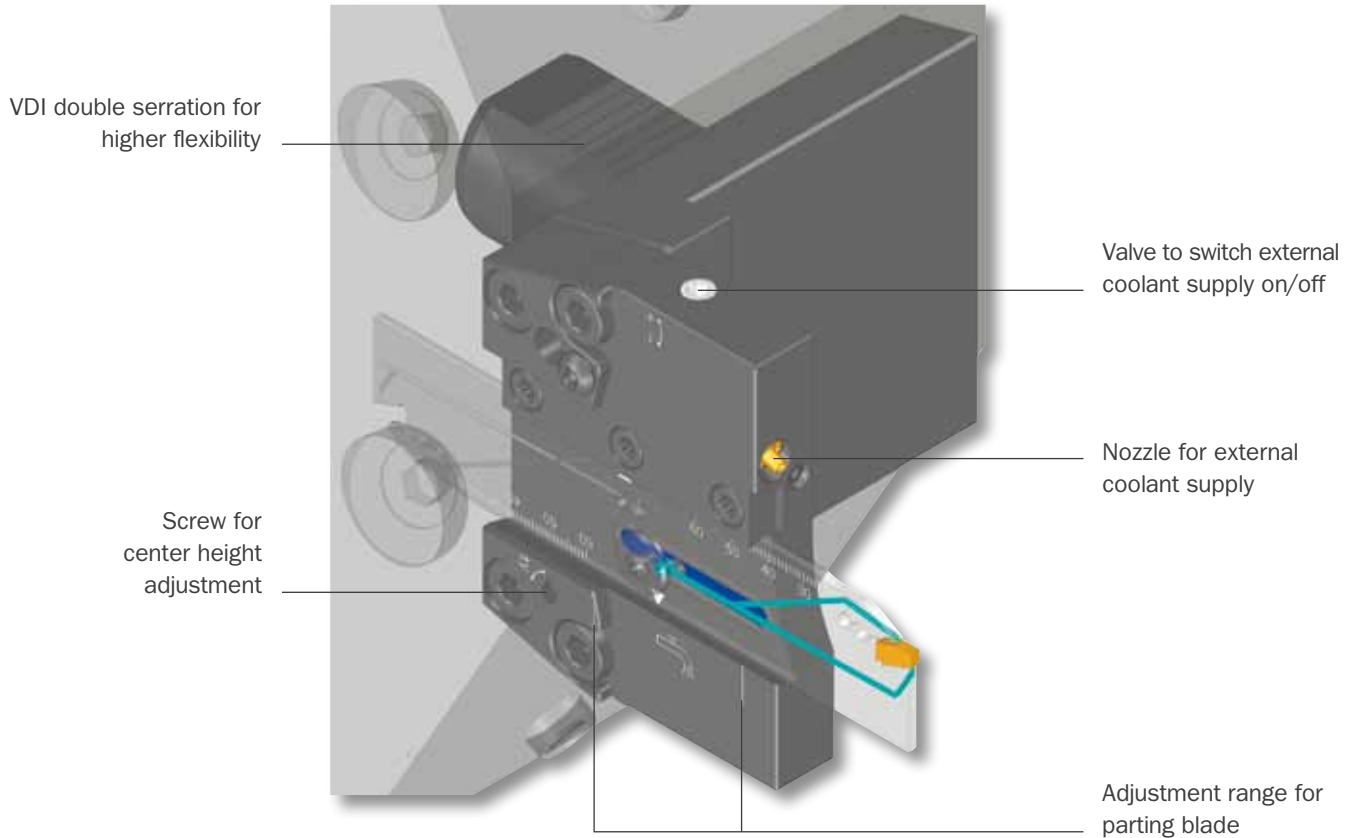
Blade Holders

with high pressure internal coolant supply
for parting and grooving.

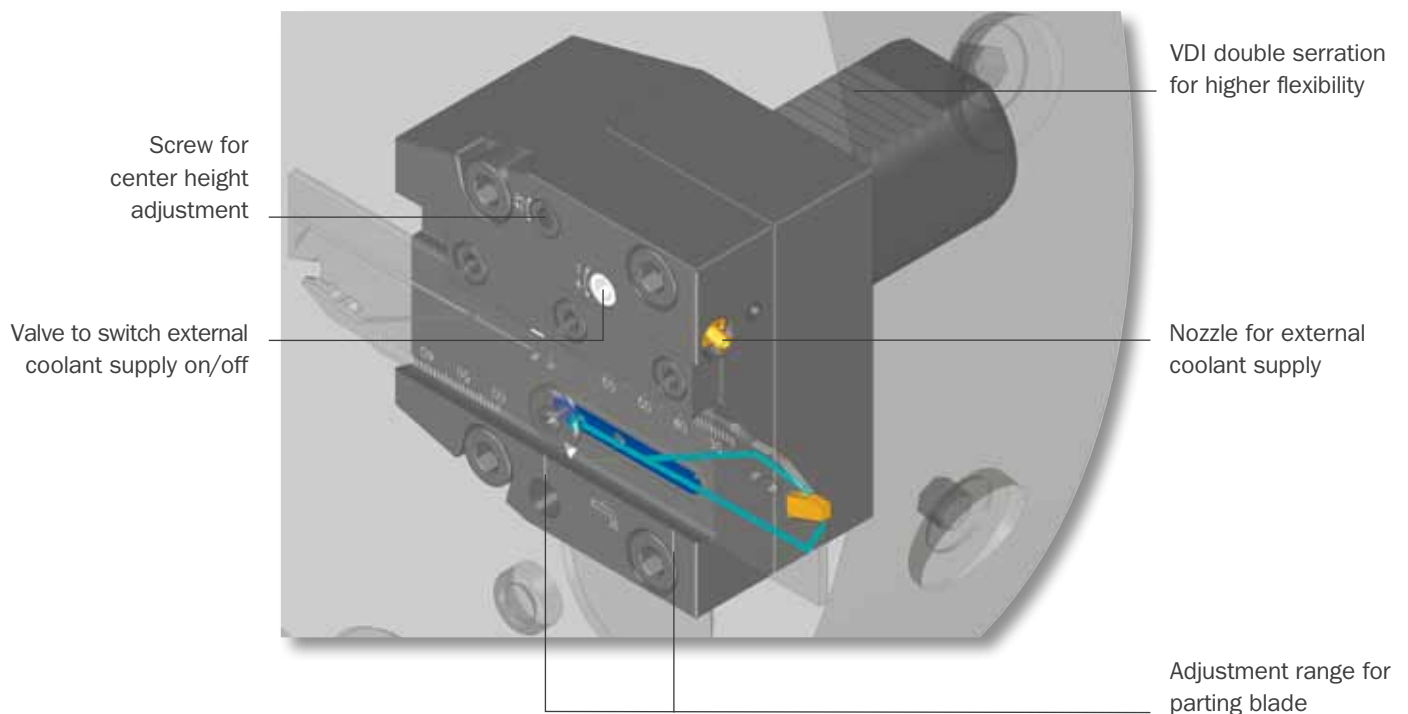


Blade Holders with high pressure internal

For VDI radial tooling turret



For VDI face tooling turret

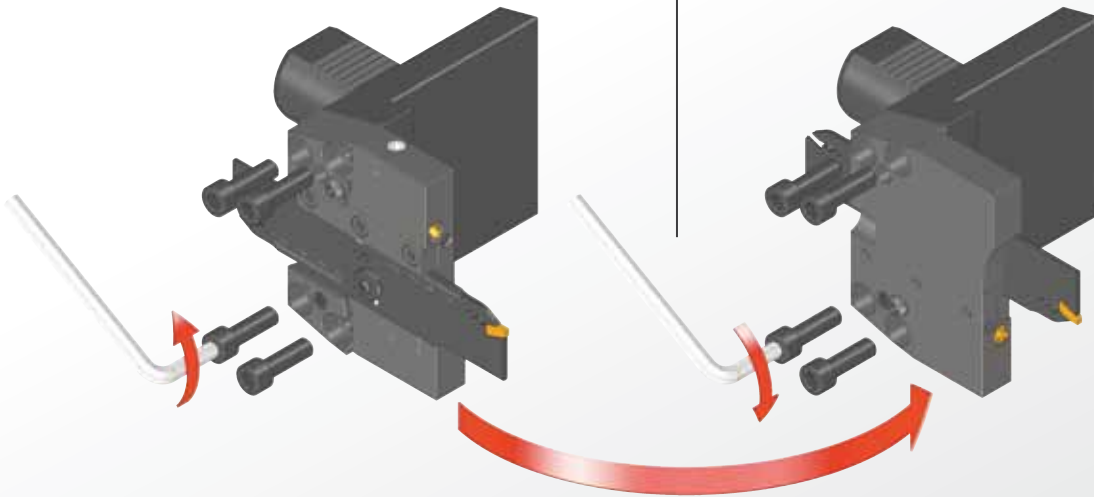


coolant supply

Front mounted blade holder, 180° reversible:

... towards main spindle side

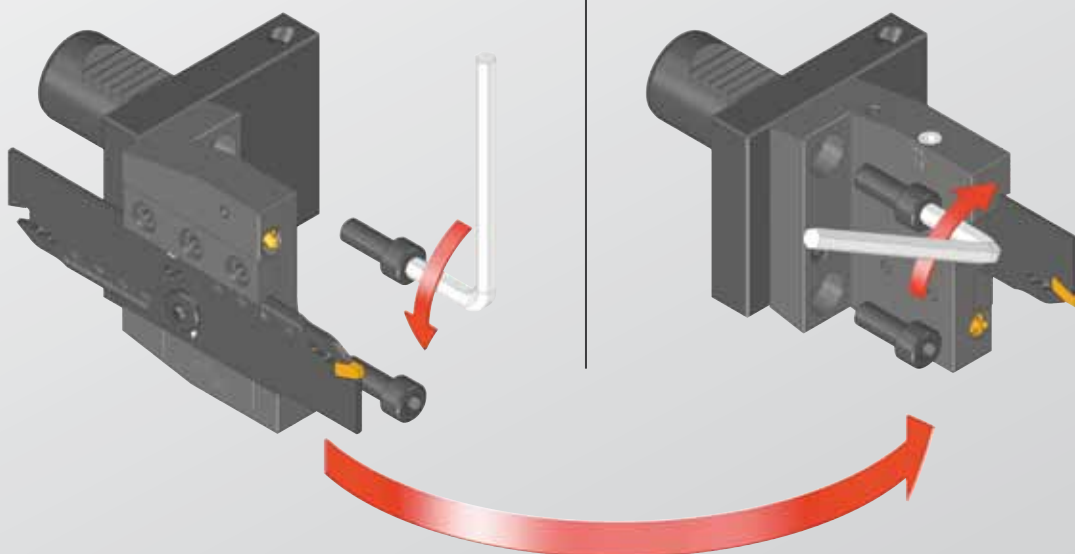
... 180° reversed towards sub spindle side



Top mounted blade holder, 180° reversible:

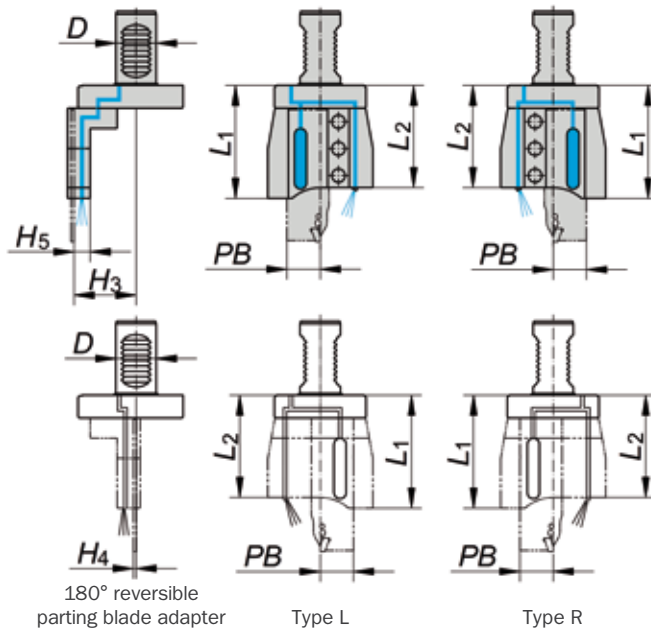
... towards main spindle side

... 180° reversed towards sub spindle side





High pressure internal coolant supply through parting blade
 External coolant supply with shifttable valve
 Max. coolant pressure = 1160 PSI (80 bar)
 Adjustable center height

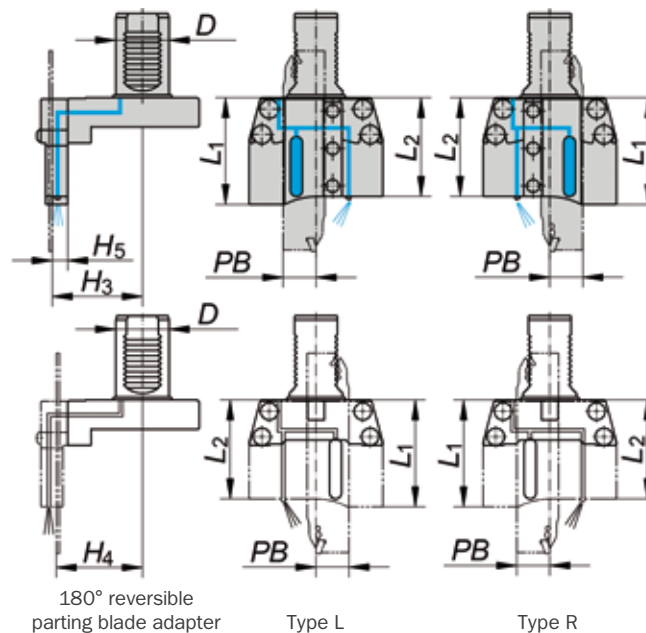


Item No.	Interface		Tool clamping PB (SH)	Dimensions/Data				
	ØD	Turret specification		L1	L2	H3	H4	H5
48-102647L/R	25	VDI25 radial tooling turret	21 (26)	83.0	75.0	38.0	1.0	12.0
48-102630L/R	30	VDI30 radial tooling turret	21 (26)	90.0	82.0	45.0	6.0	12.0
48-102632L/R	30	VDI30 radial tooling turret	25 (32)	84.0	76.0	46.0	3.0	12.0

Dimensions in mm

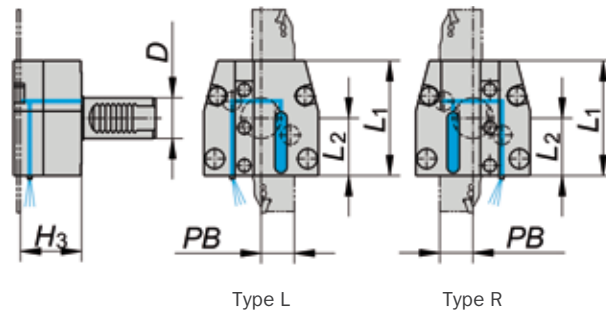


High pressure internal coolant supply through parting blade
 External coolant supply with shifttable valve
 Max. coolant pressure = 1160 PSI (80 bar)
 Adjustable center height



Item No.	Interface		Tool clamping PB (SH)	Dimensions/Data				
	ØD	Turret specification		L1	L2	H3	H4	H5
48-10264L/R	40	VDI40 radial tooling turret	25 (32)	80.0	74.0	67.5	64.5	11.5
48-99091L/R	40	VDI40 radial tooling turret	25 (32)	116.0	109.0	67.5	64.5	11.5

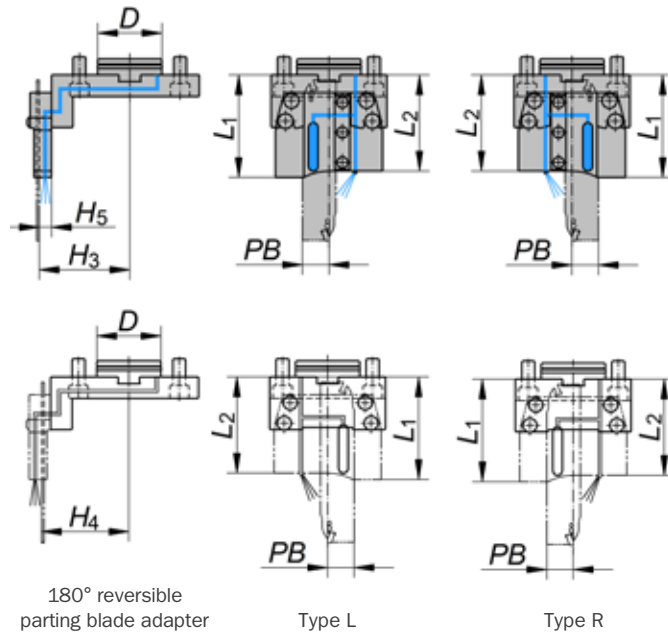
Dimensions in mm



High pressure internal coolant supply through parting blade
 External coolant supply with shiftable valve
 Max. coolant pressure = 1160 PSI (80 bar)
 Adjustable center height

Item No.	Interface		Tool clamping PB (SH)	Dimensions/Data		
	ØD	Turret specification		L ₁	L ₂	H ₃
48-102686L/R	30	VDI30 face tooling turret	21 (26)	70.0	35.0	46.5
48-102688L/R	30	VDI30 face tooling turret	25 (32)	85.0	42.5	45.5
48-102690L/R	40	VDI40 face tooling turret	25 (32)	85.0	42.5	45.5
48-102894L/R	50	VDI50 face tooling turret	25 (32)	85.0	42.5	45.5

Dimensions in mm



High pressure internal coolant supply through parting blade
 External coolant supply with shifttable valve
 Max. coolant pressure = 1160 PSI (80 bar)
 Adjustable center height

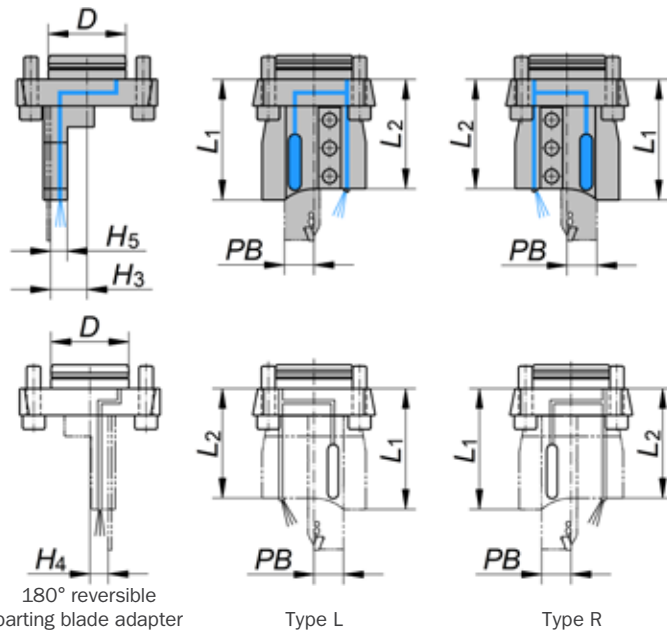
180° reversible
 parting blade adapter

Type L

Type R

Item No.	Interface		Tool clamping PB (SH)	Dimensions/Data				
	ØD	Turret specification		L1	L2	H3	H4	H5
48-97953L/R	55	Biglia D 55	25 (32)	78.0	72.0	71.0	68.0	11.5
48-102252L/R	45	BMT 45	21 (26)	80.0	73.0	60.5	57.5	11.5
48-102255L/R	55	BMT 55	25 (32)	80.0	74.0	69.0	66.0	11.5
48-102256 L/R	65	BMT 65	25 (32)	83.0	77.0	70.5	67.5	11.5
48-100082L/R	65	BMT 65	25 (32)	119.0	112.0	70.5	67.5	11.5
48-99500L/R	60	Goodway GS 2000-4000M	25 (32)	95.5	89.5	84.5	81.5	11.5
48-99650L/R	40	Mazak HQR-100/150MSY	25 (32)	130.0	123.0	45.0	42.0	11.5
48-102266L/R	40	Mazak HQR-200/250MSY	25 (32)	130.0	123.0	56.5	53.5	11.5
48-99474L/R	40	Mazak QTN-100M	25 (32)	98.0	92.0	61.5	58.5	11.5
48-102264L/R	40	Mazak QTN-200/250M	25 (32)	123.5	116.5	62.0	59.0	11.5
48-100318L/R	50	Mazak QTN-300/350/400/450M	25 (32)	149.0	142.0	72.0	69.0	11.5
48-102268L/R	68	Mazak QTS-100/150/200/250M	25 (32)	80.0	74.0	84.0	81.0	11.5
48-99401L/R	80	Mazak QTS-300/350M	25 (32)	113.0	106.0	96.0	93.0	11.5
48-103908L/R	40	Muratec MT 12/200	25 (32)	99.0	93.0	68.0	65.0	11.5
48-102261L/R	40	DMG MORI NZX 1500-2000	25 (32)	88.0	82.0	82.0	79.0	11.5
48-102262L/R	60	DMG MORI NLX 1500-4000	25 (32)	95.5	89.5	84.5	81.5	11.5
48-102282L/R	60	Okuma LB/LU 2000-3000, LT 3000M	25 (32)	86.5	80.5	76.0	73.0	11.5
48-101968L/R	60	Okuma LB/LU 2000-3000, LT 3000M	25 (32)	122.5	115.5	76.0	73.0	11.5
48-99304L/R	60	Okuma LB 4000M	25 (32)	80.0	74.0	80.0	77.0	11.5
48-99721L/R	50	Takisawa TCY-160, 200	25 (32)	90.0	84.0	70.0	67.0	11.5
48-100057L/R	68	Takisawa TY-2000	25 (32)	119.5	112.5	83.5	80.5	11.5
48-102258L/R	-	Doosan Puma 280, 2100, 2600	25 (32)	58.0	52.0	27.0	24.0	11.5
48-102270L/R	-	Mazak QTS-200/250	25 (32)	47.0	41.0	27.0	24.0	11.5
48-102272L/R	-	Mazak QTS-300/350	25 (32)	33.0	27.0	27.0	24.0	11.5
48-102284L/R	-	Okuma LB 2000	25 (32)	60.0	54.0	27.0	24.0	11.5
48-102286L/R	-	Okuma LB 2500-4000	25 (32)	65.0	59.0	27.0	24.0	11.5

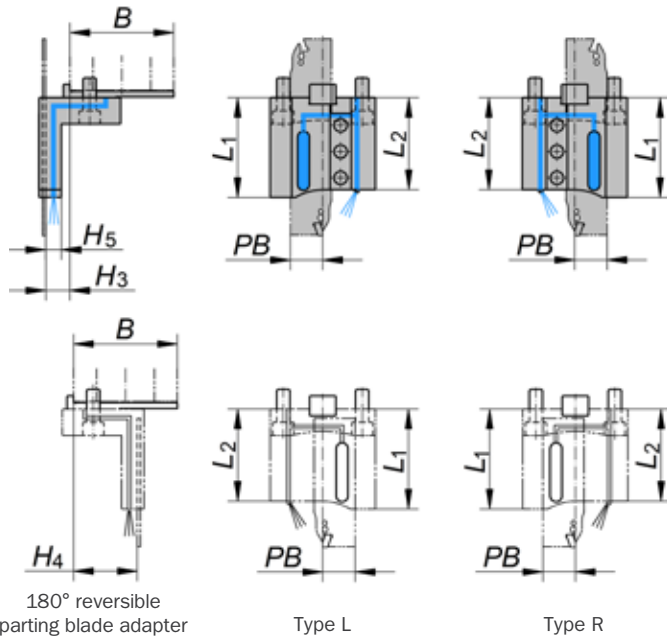
Dimensions in mm



High pressure internal coolant supply through parting blade
 External coolant supply with shiftable valve
 Max. coolant pressure = 1160 PSI (80 bar)
 Adjustable center height

Item No.	Interface		Tool clamping PB (SH)	Dimensions/Data				
	ØD	Turret specification		L1	L2	H3	H4	H5
48-102280L/R	55,4	Okuma LT 2000 (16 stations)	21 (26)	86.0	78.0	26.0	13.0	12.0

Dimensions in mm



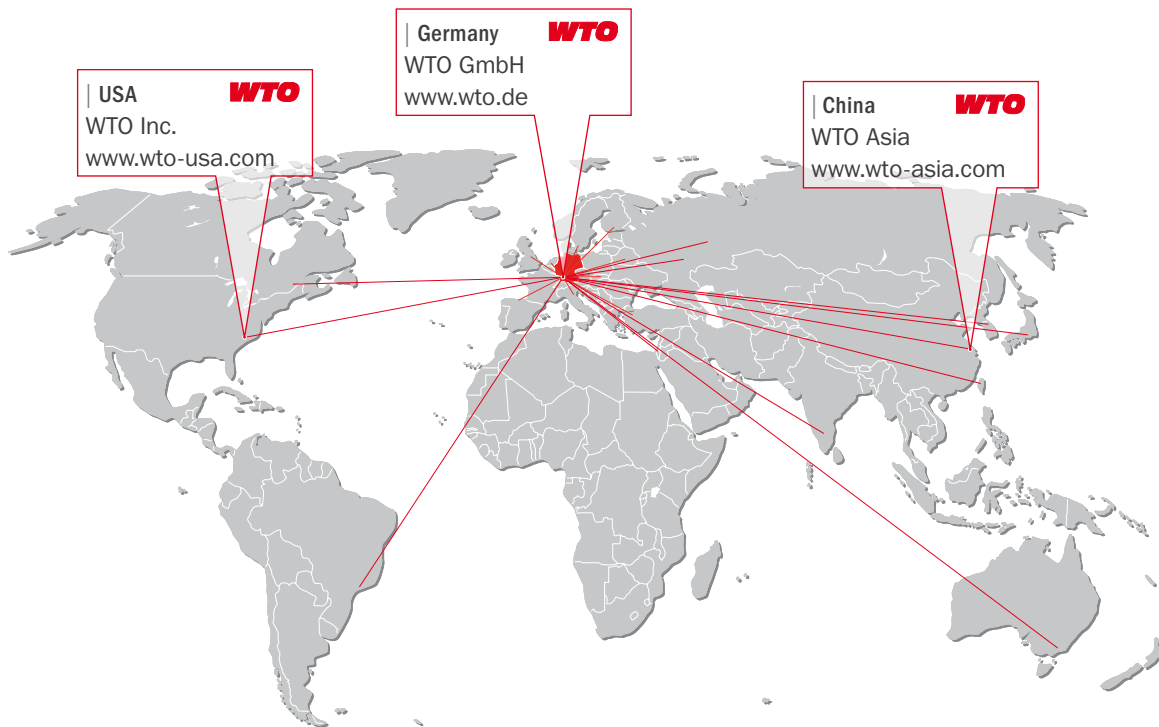
High pressure internal coolant supply through parting blade
 External coolant supply with shiftable valve
 Max. coolant pressure = 1160 PSI (80 bar)
 Center height adjustable using machine Y axis

Item No.	Interface		Tool clamping PB (SH)	Dimensions/Data				
	B	Turret specification		L1	L2	H3	H4	H5
48-102274L/R	62	Nakamura D 44	21 (26)	66.0	59.0	15.0	37.0	12.0
48-102276L/R	80	Nakamura D 55	25 (32)	76.0	70.0	12.5	42.5	12.0
48-99354L/R	90	Nakamura D 65	25 (32)	65.0	59.0	13.5	34.5	12.0
48-102279L/R	100	Nakamura D 65	25 (32)	65.0	59.0	8.5	39.5	12.0

Dimensions in mm

WTO worldwide

WTO
Higher Productivity



WTO GmbH
Auf der oberen Au 45
77797 Ohlsbach
Germany

WTO USA
13900 S Lakes Dr Ste F
Charlotte NC 28273-7119
USA

WTO Asia
Unit 756A, Tower 3
German Center
No. 88 Keyuan Road
Pudong
201203 Shanghai
China

Our distribution partners. Competence right there.

| **Australia**
Dimac Tooling Ltd.
sales@dimac.com.au

| **Finland**
Suomen Terätuonti Oy
myynti@stt.as

| **Japan**
NK Works Co. Ltd.
k_samba@nk-works.co.jp

| **Spain**
ITALMATIC, S.A.
italmatic@italmatic.es

| **Belarus**
JSC "PMI GROUP"
tool@pmi.by

| **France**
Société Jung
info@r-jung.com

| **Korea**
WTO Korea Office
is.chon@wto-korea.com

| **Sweden**
Komet Scandinavia AB
scandinavia@kometgroup.com

| **Brazil**
TF2
tfdois@tfdois.com.br

| **France**
Utilis France Sàrl
contact@utilis.com

| **Netherlands**
Klein Tooling B.V.
mail@kleintooling.nl

| **Switzerland**
Utilis AG
info@utilis.com

| **Canada**
Mittmann Industrial Inc.
info@mittmann.com

| **Great Britain**
Cutwel Ltd.
sales@cutwel.net

| **Norway**
Helge Karlsen Verktøy og Maskin AS
hkvm@hkvm.no

| **Taiwan**
KAIKO Enterprise Co. Ltd.
info@kaiko.com.tw

| **China**
Shanghai Gangde
m.wang@wto-asia.com

| **India**
A.H. Rao
ahr.rao@gmail.com

| **Russia**
Haltec Ltd.
info@haltec.ru

| **Turkey**
MYK CNC MAKINA SAN. VE
mehmet.karaman@mykcnc.com.tr

| **Czech Republic**
ALBA precision, spol. s.r.o.
info@albaprecision.cz

| **Israel**
E.Y.A.R. Ltd.
yehoshua@eyar.co.il

| **Russia**
OTS-Technology Ltd.
sales@otst.ru

| **Ukraine**
„LLC“ SPA Stankopromimport
info@phoenix-ua.com

| **Denmark**
Tool-part
cj@tool-part.dk

| **Italy**
Prymark srl
commerciale@prymark.it

| **Slovakia**
ALBA precision s.r.o.
albaprecision@albaprecision.sk